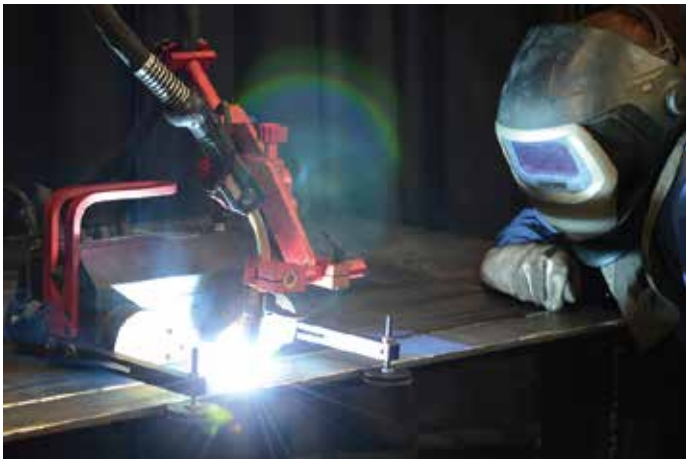
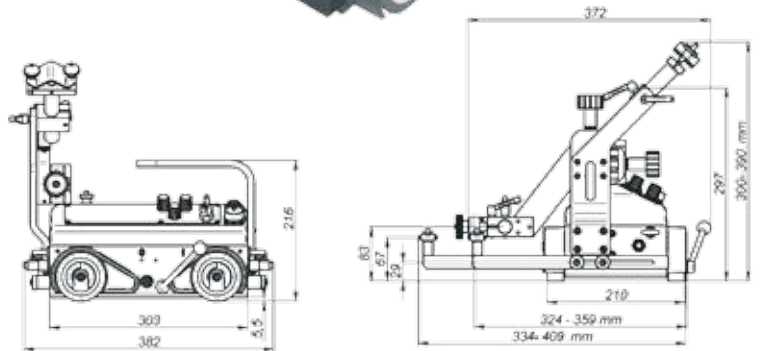


# LIZARD

## Programmable Welding Carriage

TECHNICAL SPECIFICATIONS		
Power supply	115-230VAC / 50-60 Hz	
Welding positions	Vertical / Horizontal	
Chassis to material clearance	5 mm (0.2")	
Drive system	Friction drive with worm gear reduction	
Tracking method	Four drive, heat resistant silicone wheels	
Torch adjustment	2-Guide rollers	
Torch adjustment	Up-Down	35 mm (1.4")
	Left-Right	35mm (1.4")
Guide roller adjustment	75 mm (2.95")	
Control panel	Travel direction switch	Program start, direction left Stop, Program start, direction right
	Function button F1	Parameter selection
	Function button F2	Value change "+", "-"
	Arc ignition switch	TEST / 0 / 1
Speed knob	Horizontal speed	0-1200 mm/min (47.2" /min)
	Vertical speed	0-1100 mm/min (43.3" /min)
Automatic stop	End switches at both sides	
Dimensions	382mm (L) x 372mm (W) x 390mm (H), 15.0" (L) x 14.6" (W) x 15.4" (H)	
Weight	13.5kg (29.8 lbs)	
Product Code	PMT-W02-0476-10-20-00-0	



## OPTIONAL ACCESSORIES:

### 1. Oscillator

A very important optional feature of LIZARD is oscillation attachment. The unit can identify its connection automatically, and configure suitable operating modes. Oscillating attachment increases significantly functionality of Lizard welding carriage by allowing it to operate in most out-of-position welding jobs.

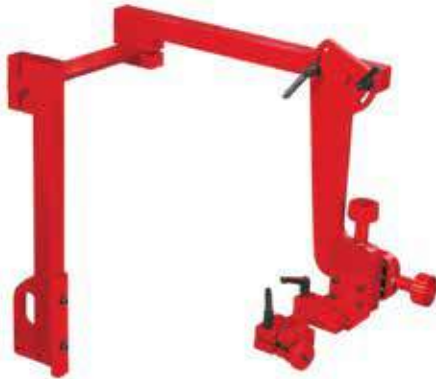
OSCILLATOR Technical Specification	
Oscillation type	Angular max.11°
Amplitude R-150 mm	2-30 mm (0.08-1.2")
Frequency	12-115 cycles /min
Delay at ends	0-3 s
Max. moment	5Nm
Weight	2.5 kg (5.5 lbs)
Product code	PMT-ZSP-0477-01-00-00-0



### 2. Dual Torch Mount

(enables mounting of second torch for dual sided fillet welding)

Product Code: PMT-PDT-0466-40-00-00-0



### 3. Torch Extension Arm

(enables extended reach for torch placement)

Product Code: PMT-PRD-0466-43-00-00-0



### 4. Edge Following Guide Arms

(enables guiding off of outside edge)

Product Code: PMT-PRW-0476-21-00-00-0



### 5. Adjustable Guide Arms

(enables guiding on lap joints and templates)

Product Code: PMT-PRW-0476-22-00-00-0



### 6. Torch Holder Long Rod Clamp Assembly

Product Code: PMT-WLK-0466-04-10-00-0



### 7. Torch Holder Clamp 22-35

enables mounting of torches with diameters from 22mm (7/8") to 35mm (1-3/8")

Product Code: PMT-ZRZ-0466-19-00-00-0

